

RHP67000/1LIN/1
RHP67000/1LPN/1
RHP97000/1LIN/1
RHP97000/1LPN/1

Cooker Hood

Hotte de cuisson

EN	Instruction manual	2
FR	Manuel d'instructions	15

CONTENT

1. Safety instructions	3
2. Installation	5
3. Start using your cooker hood	8
4. Troubleshooting	9
5. Maintenance and cleaning	10
6. Environment protection	14

SAFETY INSTRUCTIONS

This manual explains the proper installation and use of your cooker hood, please read it carefully before using even if you are familiar with the product. The manual should be kept in a safe place for future reference.

Never to do:

- Do not try to use the cooker hood without the grease filters or if the filters are excessively greasy!
- Do not install above a cooker with a high level grill.
- Do not leave frying pans unattended during use because overheated fats or oils might catch fire.
- Never leave naked flames under the cooker hood.



- If the cooker hood is damaged, do not attempt to use.
- Do not flambé under the cooker hood.
- **CAUTION:** Accessible parts may become hot when used with cooking appliances.
- The minimum distance between the supporting surface for the cooking vessels on the hob and the lowest part of the cooker hood. (When the cooker hood is located above a gas appliance, this distance shall be at least 65 cm)
- The air must not be discharged into a flue that is used for exhausting fumes from appliances burning gas or other fuels.



Always to do:

- Important! Always switch off the electricity supply at the mains during installation and maintenance such as light bulb replacement.
- The cooker hood must be installed in accordance with the installation instructions and all measurements followed.
- All installation work must be carried out by a competent person or qualified electrician.
- Please dispose of the packing material carefully. Children are vulnerable to it.
- Pay attention to the sharp edges inside the cooker hood especially during installation and cleaning.
- Make sure the ducting has no bends sharper than 90 degrees as this will reduce the efficiency of the cooker hood.
- **Warning:** Failure to install the screws or fixing device in accordance with these instructions may result in electrical hazards
- **Warning:** Before obtaining access to terminals, all supply circuits must be disconnected.

Always to do:

- Always put lids on pots and pans when cooking on a gas cooker.
- When in extraction mode, air in the room is being removed by the cooker hood. Please make sure that proper ventilation measures are being observed. The cooker hood removes odours from room but not steam.
- There shall be adequate ventilation of the room when the cooker hood is used at the same time as appliances burning gas or other fuels.
- Cooker hood is for domestic use only.



- If the supply cord is damaged, it must be replaced by the manufacturer, its service agent or similarly qualified persons in order to avoid a hazard.
- This appliance can be used by children aged from 8 years and above and persons with reduced physical, sensory or mental capabilities or lack of experience and knowledge if they have been given supervision or instruction concerning use of the appliance in a safe way and understand the hazards involved. Children shall not play with the appliance. Cleaning and user maintenance shall not be made by children without supervision.

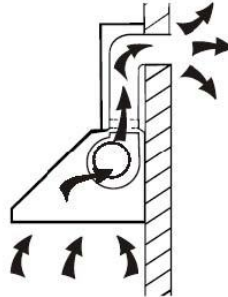


Always to do:

- **Caution:** The appliance and its accessible parts can become hot during operation. Be careful to avoid touching the heating elements. Children younger than 8 years old should stay away unless they are under permanent supervision.
- There shall be adequate ventilation of the room when the cooker hood is used at the same time as appliances burning gas or other fuels.
- There is a fire risk if cleaning is not carried out in accordance with the instructions
- Regulations concerning the discharge of air have to be fulfilled.
- Clean your appliance periodically by following the method given in the chapter MAINTENANCE.
- For safety reason, please use only the same size of fixing or mounting screw which are recommended in this instruction manual.
- Regarding the details about the method and frequency of cleaning, please refer to maintenance and cleaning section in the instruction manual.
- Cleaning and user maintenance shall not be made by children without supervision.
- When the cooker hood and appliances supplied with energy other than electricity are simultaneously in operation, the negative pressure in the room must not exceed 4 Pa (4 x 10⁻⁵ bar).

INSTALLATION (VENT OUTSIDE)

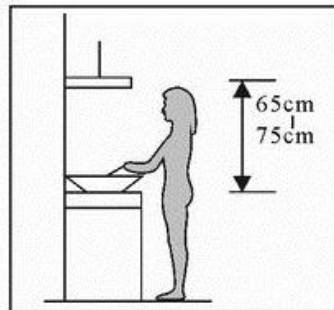
If you have an outlet to the outside, your cooker hood can be connected as below picture by means of an extraction duct (enamel, aluminum, flexible pipe or inflammable material with an interior diameter of 150/120mm)



1. Before installation, turn the unit off and unplug it from the outlet.

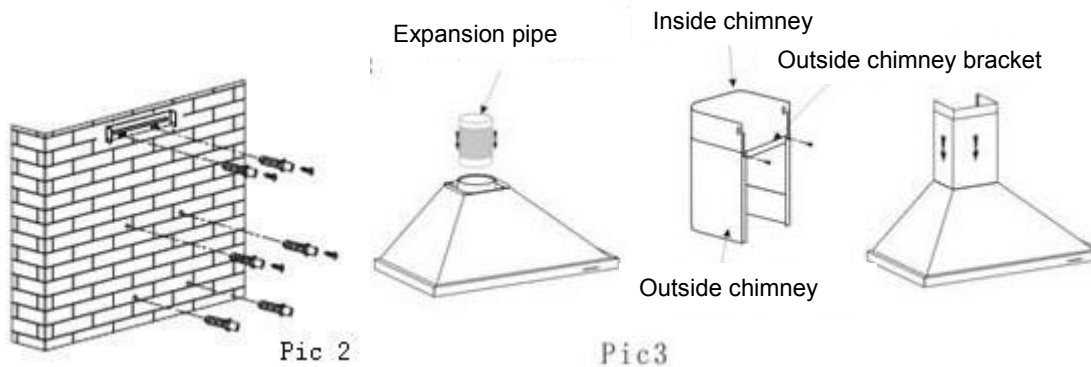


2. The cooker hood should be placed at a distance of 65~75cm above the cooking plane for best effect.

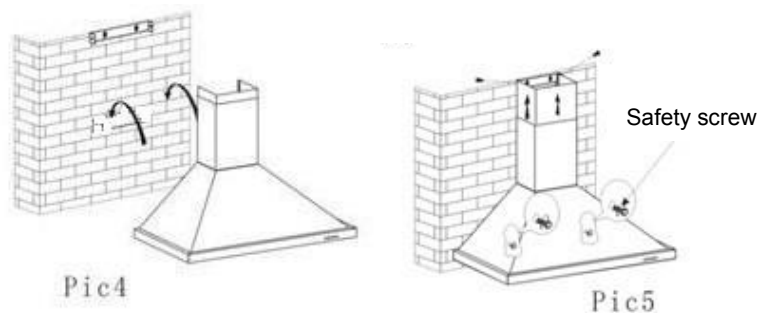


Pic1

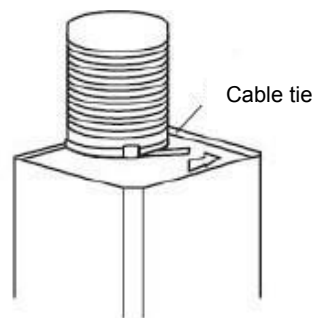
3. Install the hook on a suitable place once the installation height is fixed, and keep it in line. The fixed position of the inside chimney bracket is the place of chimney. See pic 2.
4. Fix the outside chimney bracket on the outside chimney, and be sure that the inside chimney can be adjusted the height in it freely as well as fixing the expansion pipe. Afterwards, install the expansion pipe and chimney on the cooker hood. See Pic 3.



5. Put the cooker hood on the hook. See Pic 4.
6. Adjust the height of the inside chimney to the position of the inside chimney bracket and fix on it by screw, after adjusting the position, fix the body with safety screw. See Pic 5.



Note: The two safety vents are positioned on the back housing, with diameter of 6mm. Lay the expansion pipe to the wall outlet. Fix the expansion pipe with the cable tie (1) on the wall-outlet if it is aluminium foil pipe.



MOUNTING OF THE V-FLAP

Note:

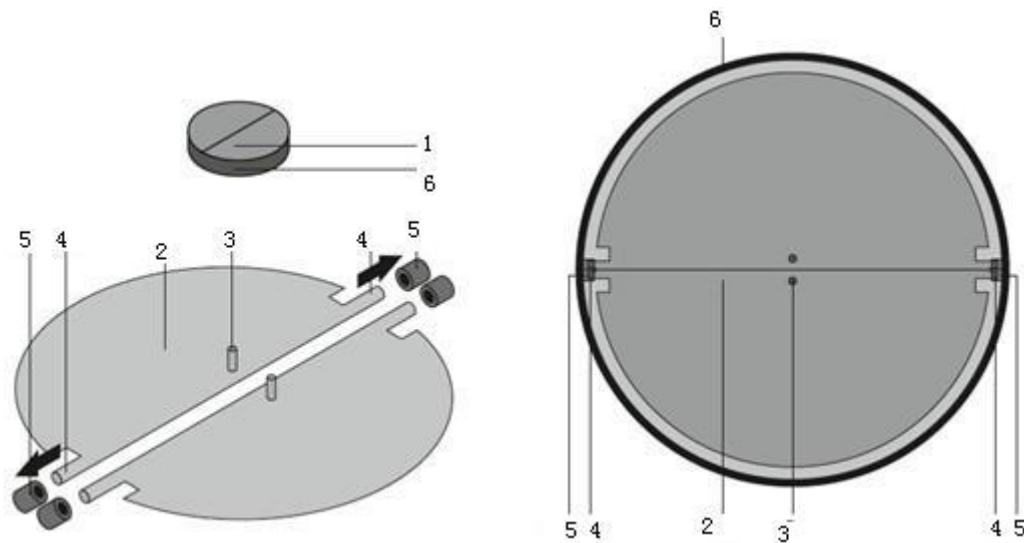
The following models include the v-flap: RHP67000/1LIN/1, RHP67000/1LPN/1, RHP97000 /1LIN/1, RHP97000/1LPN/1

If the cooker hood does not have an assembled V-flap 1, you should mount the half-parts to the its body.

To mount the V-flap 1 you should:

- Mount two half-parts 2 into the body 6
- a pin 3 should be top oriented;
- the axis 4 should be inserted in the holes 5 on body;
- repeat all the operations for the 2nd half-part

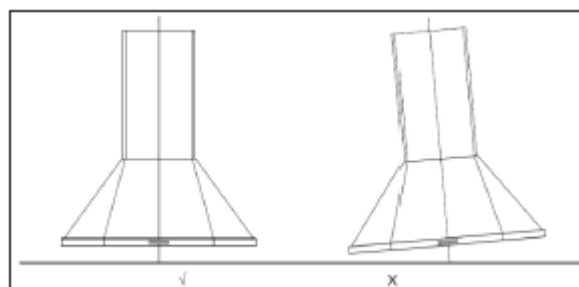
Note: The product is provided with v-flap accessory. This accessory is not mandatory for installation, operation and use of the product.




HINTS FOR EXHAUST DUCT INSTALLATION

The following rules must be strictly followed to obtain optimal air extraction:

- Keep expansion pipe short and straight.
- Do not reduce the size or restrict expansion pipe.
- When using expansion pipe always install the pipe pulled taut to minimize pressure loss.
- Failure to observe these basic instructions will reduce the performance and increase noise levels of the cooker hood.
- Any installation work must be carried out by a qualified electrician or competent person.
- Do not connect the ducting system of the hood to any existing ventilation system which is being used for any other appliance ,such as warmer tube, gas tube, hot wind tube.
- The angle of the bend of the expansion pipe should not be less than 120°; you must direct the pipe horizontally, or, alternatively, the pipe should go up from the initial point and should be led to an outer wall.
- After the installation ,make sure that the cooker hood is level to avoid grease collection at on end.
- Ensure the expansion pipe selected for installation complies with relevant standards and is fire retardant.



<p>WARNING:</p> 	<ul style="list-style-type: none"> ➤ For safety reason, please use only the same size of fixing or mounting screw which are recommended in this instruction manual. ➤ Failure to install the screws or fixing device in accordance with these instructions may result in electrical hazards.
--	--

Start Using Your Cooker Hood

LED touch control



LED touch control has five buttons, see pic.

(Decrease), (Increase), (Lamp), (Timer), (Power)

1. Power-on: After connecting the cooker hood to the main supply, the backlight of button will turn on. The backlight will turn off after 30s without any operation and the cooker hood will enter into stand-by mode.

2. (Power) button:

2.1. Press (Power) button, the backlight of button will be on and the hood will work at the mid speed, and the light will be on. The backlight of the buttons (Decrease), (Increase), (Lamp), and (Power) will be on. Press (Power) button again, the backlight of button will be off and the cooker hood will be turn off and return into stand-by mode and operate by the circle.

2.2. Those buttons of (Decrease), (Increase) and (Lamp) button could be operated without pressing the (Power) button. Press one of those buttons, the cooker hood will work according to the pressed function button. Press (Power) button, the cooker hood will be turn off without any functions.

3. (Lamp) button:

Press (Lamp) button, the backlight of button and the lights will be on. Press again, the lights will be off. The lights run circularly.

4. (Increase) button:

4.1 Press (Increase) button, the backlight of button will be on, the cooker hood starts to work at the low speed. the LED display will display "1",

4.2 Press (Increase) button again when it is working on the low speed, the cooker hood works at the mid speed and the LED display will display "2",

4.3 Press (Increase) button again when it is working on the mid speed, the cooker hood works at the high speed and the LED display will display "3",

4.4 Press (Increase) button again when it is working on the high speed, the cooker hood will still work at the high speed.

5. (Decrease) button

Press (Decrease) button, the cooker hood will decrease one speed, and the display will show the current working speed. When press (Decrease) button again when it is working on the low speed, the cooker hood will turn off and the backlight of the (Decrease) button will be off.

6. (Timer) button:

6.1 The (Timer) button works when the motor and light is on only. The timer setting is 5mins and could be repeat setting. When the time is up, the cooker hood will be turn off and the light will be off.

6.2 When the timer is set, if adjusting the speeds, the timer will re-calculate the working time.

TROUBLESHOOTING

Fault	Possible Cause	Solution
Light on, but motor does not work	Fan switch turned off	Select a fan switch position.
	Fan switch failed	Contact service center.
	Motor failed	Contact service center.
Light does not work, motor does not work	House fuses blown	Reset/Replace fuses.
	Power cord loose or disconnected	Refit cord to power outlet. Switch power outlet on.
Oil leakage	One way valve and the air ventilation entrance are not tightly sealed	Take down the one way valve and seal with sealant.
	Leakage from the connection of U-shaped section and cover	Take U-shaped section down and seal.
Lights not working	Broken/Faulty globes	Replace globes as per this instruction.
Insufficient suction	The distance between the cooker hood and the gas top is too far	Refit the cooker hood to the correct distance.
The Cooker hood inclines	The fixing screw not tight enough	Tighten the hanging screw and make it horizontal.

NOTE:

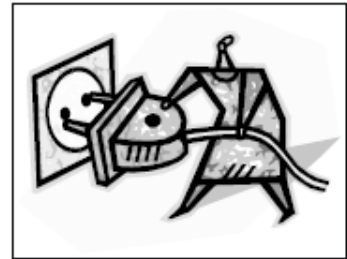


Any electrical repairs to this appliance must conform to your local, state and federal laws. Please contact the service centre if in any doubt before undertaking any of the above. Always disconnect the unit from the power source when opening the unit.

MAINTENANCE AND CLEANING

Caution:

- Before maintenance or cleaning is carried out, the cooker hood should be disconnected from the main power supply. Ensure that the cooker hood is switched off at the wall socket and the plug removed.



- External surfaces are susceptible to scratches and abrasions, so please follow the cleaning instructions to ensure the best possible result is achieved without damage.

GENERAL

Cleaning and maintenance should be carried out with the appliance cold especially when cleaning. Avoid leaving alkaline or acid substances (lemon juice, vinegar etc.) on the surfaces.

STAINLESS STEEL

The stainless steel must be cleaned regularly (e.g. weekly) to ensure long life expectancy. Dry with a clean soft cloth. A specialized stainless steel cleaning fluid may be used.

NOTE:

Ensure that wiping is done along with the grain of the stainless steel to prevent any unsightly crisscross scratching patterns from appearing.

CONTROL PANEL SURFACE

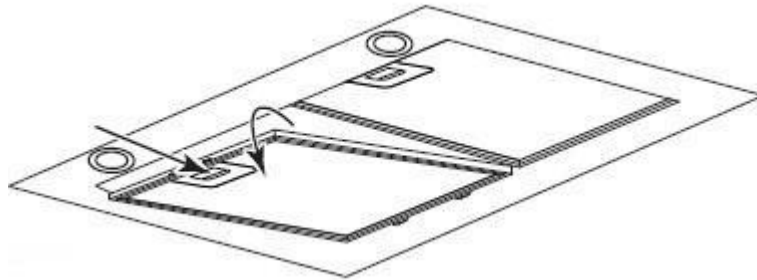
The inlay control panel can be cleaned using warm soapy water. Ensure the cloth is clean and well wrung before cleaning. Use a dry soft cloth to remove any excess moisture left after cleaning.

Important

Using neutral detergents and avoid using harsh cleaning chemicals, strong household detergents or products containing abrasives, as this will affect the appliance appearance and potentially remove any printing of artwork on the control panel and will void manufacturer's warranty.

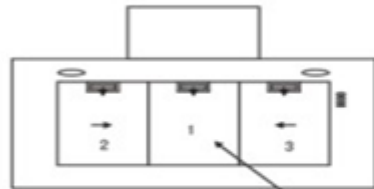
GREASE MESH FILTERS

The mesh filters can be cleaned either by hand or in the dishwasher. After cleaning ensure that the filters are completely dry before refitting.

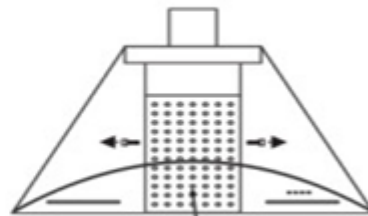


- By hand: Soak them for about 3 minute in water with a grease-loosening detergent then brush it gently with a soft brush. Please do not apply too much pressure, avoid to damage it . (Leave to dry naturally out of direct sun light)
- In a dishwasher: Ensure that placement of the filters is made so as to not impede the function of the spray arm. Washing the filters in a dishwasher may cause discoloration of the aluminum inner mesh over time although it will not affect their performance.

Filters should be washed separately to crockery and kitchen utensils. it is advisable not to use rinse aid.



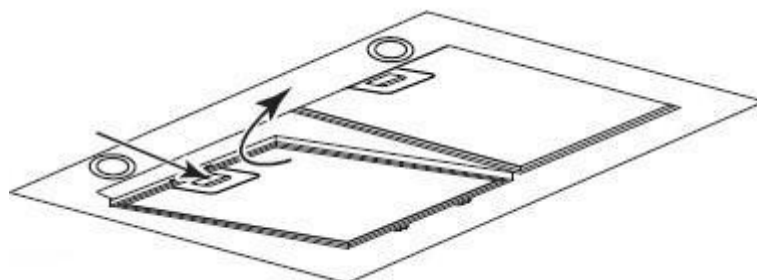
Oil soot filter mesh



Oil soot filter mesh

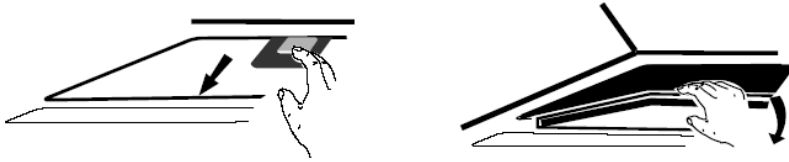
INSTALLING GREASE MESH FILTERS

- To install filters for the following four steps (See pic below):
- Angle the filter into slots at the back of the hood.
- Push the button on handle of the filter.
- Release the handle once the filter fits into a resting position.
- Repeat to install all filters.

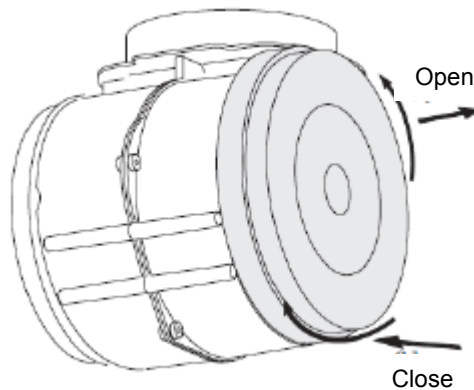


CARBON FILTER

Activated carbon filter can be used to trap odors. Normally the activated carbon filter should be changed at three or six months according to your cooking habit. The installation procedure of activated carbon filter is as below.




In order to install the activated carbon filter, the aluminium filter should be detached first. Firstly open carefully the stainless steel cover, then press the lock of aluminium filter and remove it.



NOTE:

- Make sure the filter is securely locked. Otherwise, it would loosen and cause dangerous.
- When activated carbon filter attached, the suction power will be lowered.

BULB REPLACEMENT

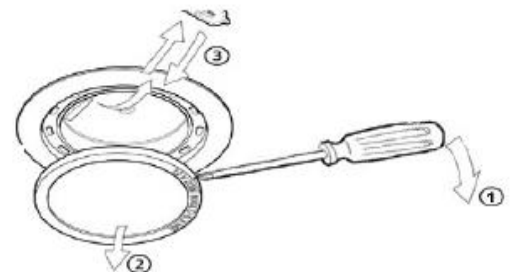
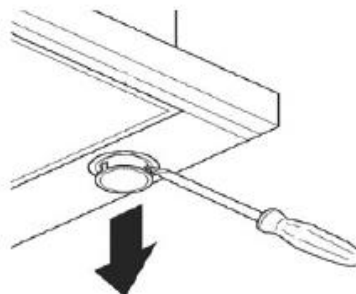
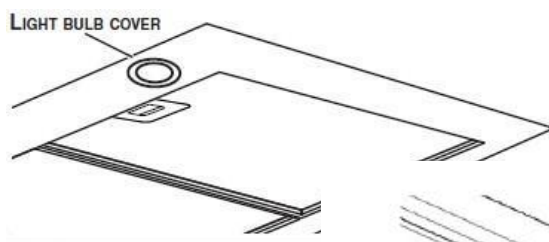
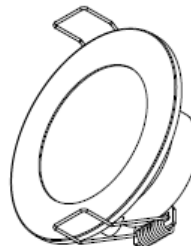
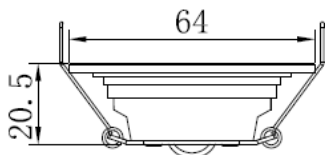
<p>Important :</p> 	<ul style="list-style-type: none"> ✧ The bulb must be replaced by the manufacturer, its service agent or similarly qualified persons. ✧ Always switch off the electricity supply before carrying out any operations on the appliance. When handling bulb, make sure it is completely cool down before any direct contact to hands. ✧ When handling globes hold with a cloth or gloves to ensure perspiration does not come in contact with the globe as this can reduce the life of the globe.
--	---

1. Switch the unit off and pull out the plug first.
2. Wait until the light bulb is cooled down before replacement.
3. Take out the baffle filter and use the screw driver to take out the frame as the below pic showed
4. Replace with same type of bulb

Note: Light replacement should carried out by qualified service personnel only.

• ILCOS D code for this lamp is: DSR-1.5/65-S-64

- LED modules –round lamp
- Max wattage: 2 *1.5W
- Voltage range: DC 12V
- Dimensions:



ENVIRONMENTAL PROTECTION:



This appliance is labelled in accordance with European Directive 2012/19/EU on Waste Electrical and Electronic Equipment Regulations 2013 regarding electric and electronic appliances (WEEE). The WEEE contain both polluting substances (that can have a negative effect on the environment) and base elements (that can be reused). It is important that the WEEE undergo specific treatments to correctly remove and dispose of the pollutants and recover all the materials. Individuals can play an important role in ensuring that the WEEE do not become an environmental problem; it is essential to follow a few basic rules:

- the WEEE should not be treated as domestic waste;
- the WEEE should be taken to dedicated collection areas managed by the town council or a registered company.

In many countries, domestic collections may be available for large WEEEs. When you buy a new appliance, the old one can be returned to the vendor who must accept it free of charge as a one-off, as long as the appliance is of an equivalent type and has the same functions as the purchased appliance.

NOTE:

The following shows how to reduce total environmental impact (e.g. energy use) of the cooking process).

- (1) Install the cooker hood in a proper place where there is efficient ventilation.
- (2) Clean the cooker hood regularly so as not to block the airway.
- (3) Remember to switch off the cooker hood light after cooking.
- (4) Remember to switch off the cooker hood after cooking.

INFORMATION FOR DISMANTLING

Do not dismantle the appliance in a way which is not shown in the user manual. The appliance could not be dismantled by user. At the end of life, the appliance should not be disposed of with household waste. Check with you Local Authority or retainer for recycling advice.

RHP67000/1LIN/1
RHP67000/1LPN/1
RHP97000/1LIN/1
RHP97000/1LPN/1

Hotte de cuisson
Manuel d'instructions

Sommaire

1. Consignes de sécurité.....	17
2. Installation.....	19
3. Comment utiliser votre hotte de cuisson.....	22
4. Dépannage.....	23
5. Entretien et nettoyage.....	25
6. Protection de l'environnement.....	28

CONSIGNES DE SÉCURITÉ

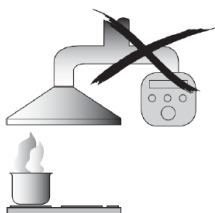
Ce manuel indique comment installer votre hotte de cuisson et comment vous en servir. Avant toute utilisation, veuillez le lire attentivement, même si vous connaissez déjà ce produit. Conservez ce manuel dans un endroit sûr, pour pouvoir le consulter par la suite.

Avertissements :

- Ne pas utiliser la hotte sans filtres à graisse ou si les filtres sont trop encrassés !
- Ne pas installer au-dessus d'une cuisinière dotée d'un gril très puissant.
- Ne pas laisser de poêles à frire cuire sans surveillance, car les graisses ou huiles brûlantes peuvent provoquer un incendie.
- Ne pas laisser de flammes nues brûler sous la hotte de cuisson.



- Si la hotte de cuisson est endommagée, il faut renoncer à l'utiliser.
- Ne pas flamber d'aliment sous la hotte de cuisson.
- ATTENTION : Les pièces accessibles peuvent être chaudes lorsqu'elles sont utilisées avec des appareils de cuisson.
- Distance minimum entre la surface d'appui des récipients de cuisson sur la plaque et la partie la plus basse de la hotte. (Si la hotte de cuisson est installée au-dessus d'un dispositif fonctionnant au gaz, la distance minimum est 65 cm)
- L'air ne doit pas être évacué dans un conduit d'élimination des fumées d'échappement de dispositifs brûlant du gaz ou d'autres combustibles.



Ne jamais oublier de :

- Important ! Veuillez toujours couper l'alimentation électrique au secteur pendant l'installation ou l'entretien, comme par exemple le remplacement d'une ampoule électrique.
- La hotte de cuisson doit être installée suivant les instructions d'installation et toutes les mesures ci-dessous :
- Toute l'installation doit être prise en charge par une personne compétente ou un électricien professionnel.
- Veillez à l'élimination des matériaux d'emballage. Il peut représenter un danger pour les enfants.
- Faites bien attention aux bords aiguisés à l'intérieur de la hotte, notamment pendant l'installation et le nettoyage.
- Assurez-vous que le tuyau n'ait pas de courbure à plus de 90 degrés car ceci diminuerait l'efficacité de la hotte.
- Attention : Le fait de ne pas installer les vis ou le dispositif de fixation conformément à ces instructions peut entraîner des risques électriques.
- Attention : Avant d'accéder aux appareils, tous les circuits d'alimentation doivent être coupés.

Ne jamais oublier de :

- Utilisez toujours des couvercles sur les casseroles et poêles quand vous cuisinez sur une gazinière.
- En modalité d'extraction, l'air de la pièce est évacué par la hotte. Assurez-vous que la pièce soit bien aérée. Cette hotte élimine les odeurs de la pièce mais pas la vapeur.
- La pièce doit être correctement ventilée lorsque la hotte est utilisée en même temps que des appareils à gaz ou que des appareils employant d'autres combustibles.
- La hotte est prévue uniquement pour un usage domestique.



- Si le câble d'alimentation est endommagé, il doit être remplacé par le fabricant, son agent d'entretien ou des professionnels de même qualification, afin d'éviter tout risque.
- Cet appareil peut être utilisé par des enfants âgés de 8 ans et plus, par des personnes dont les capacités physiques, sensorielles ou mentales sont réduites ou par des personnes sans expérience ou connaissances spécifiques, si on les a informées sur la manière d'utiliser l'appareil en toute sécurité et qu'elles en ont compris les risques. Les enfants ne doivent pas jouer avec l'appareil. L'entretien et le nettoyage ne doivent pas être effectués par des enfants sans surveillance.

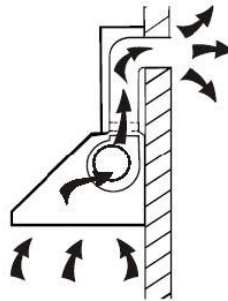


Ne jamais oublier de :

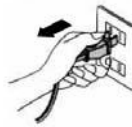
- **Attention** : L'appareil et ses parties accessibles chauffent pendant l'utilisation. Faites attention de ne pas toucher les éléments chauds. Les enfants de moins de 8 ans doivent se tenir éloignés, à moins qu'ils ne soient sous surveillance permanente.
- Il faut une ventilation adéquate de la pièce lorsque la hotte est utilisée en même temps que des dispositifs fonctionnant au gaz ou à d'autres combustibles.
- Il existe un risque d'incendie si le nettoyage n'est pas réalisé conformément aux instructions.
- La réglementation en matière d'évacuation de l'air doit être respectée.
- Nettoyez régulièrement votre appareil en suivant la méthode indiquée au chapitre ENTRETIEN.
- Pour des raisons de sécurité, n'utilisez que des vis de fixation ou de montage de la taille indiquée dans ce manuel d'instructions.
- Pour des explications concernant le mode de nettoyage, veuillez consulter le chapitre entretien et nettoyage de ce manuel d'instructions.
- L'entretien et le nettoyage ne doivent pas être effectués par des enfants sans surveillance.
- Lorsque la hotte électrique fonctionne en même temps que des dispositifs alimentés par d'autres énergies que l'électricité, la pression négative de la pièce ne doit pas dépasser 4 Pa (4 x 10⁻⁵ bars).

INSTALLATION (ÉVACUATION EXTERNE)

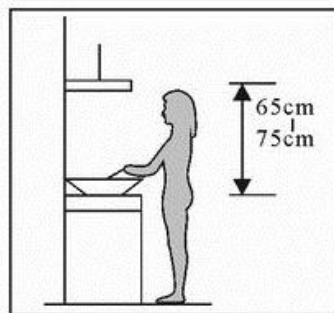
Si vous disposez d'une sortie vers l'extérieur, votre hotte peut être connectée comme sur l'image ci-dessous par un conduit d'extraction (émail, aluminium, gaine souple ou matériau inflammable avec diamètre intérieur de 150/120mm)



1. Avant l'installation, éteignez l'appareil et débranchez-le de la prise de courant.

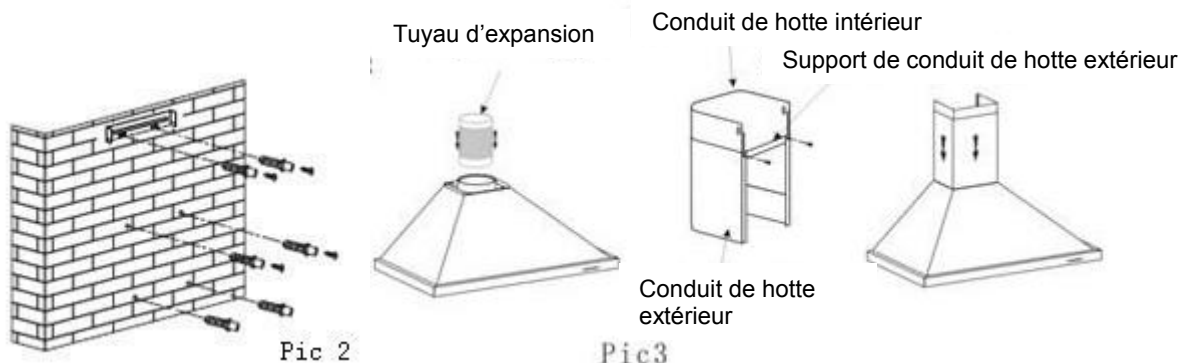


2. Pour une meilleure prestation, la hotte doit être placée à une distance de 65 à 75cm au-dessus de la plaque de cuisson.

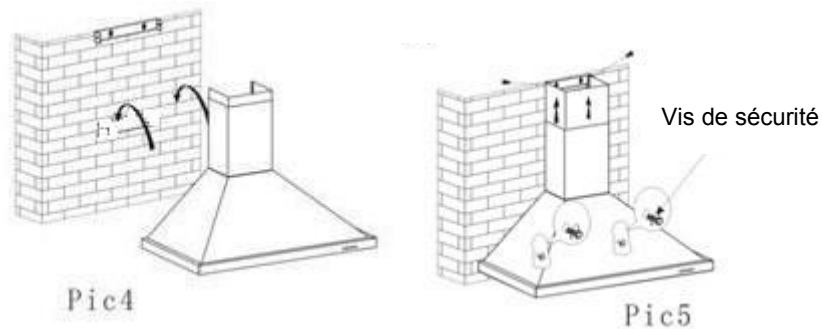


Pic1

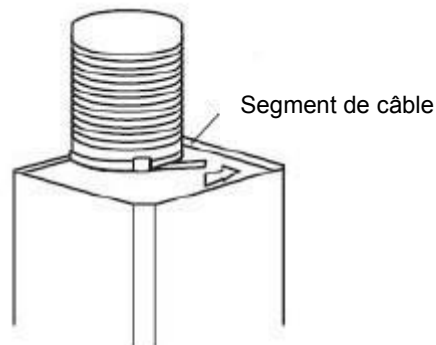
3. Une fois déterminée la hauteur de l'installation, placez le crochet dans la position appropriée, et bien aligné. La position fixe du support interne du conduit de hotte est l'emplacement du conduit de hotte. Voir ill. 2.
4. Fixez le support externe du conduit de hotte et assurez-vous que l'intérieur du conduit de hotte est réglable en hauteur, tout comme la fixation du tuyau d'expansion. Ensuite, installez le tuyau d'expansion et le conduit de hotte sur la hotte de cuisson. Voir ill. 3.



5. Posez la hotte sur le crochet. Voir ill. 4.
6. Ajuster la hauteur du conduit de hotte intérieur sur le support de conduit de hotte intérieur et fixez avec des vis ; après avoir réglé la position, fixez l'élément avec des vis de sécurité. Voir ill. 5.



Remarque : Les deux événements de sécurité sont positionnés à l'arrière du boîtier, avec un diamètre de 6mm. Posez le tuyau d'expansion au niveau de la sortie dans le mur. Fixez le tuyau d'expansion sur la sortie murale avec le segment de câble (1) si c'est un tuyau en aluminium.



MONTAGE DU RABAT EN V

Remarque:

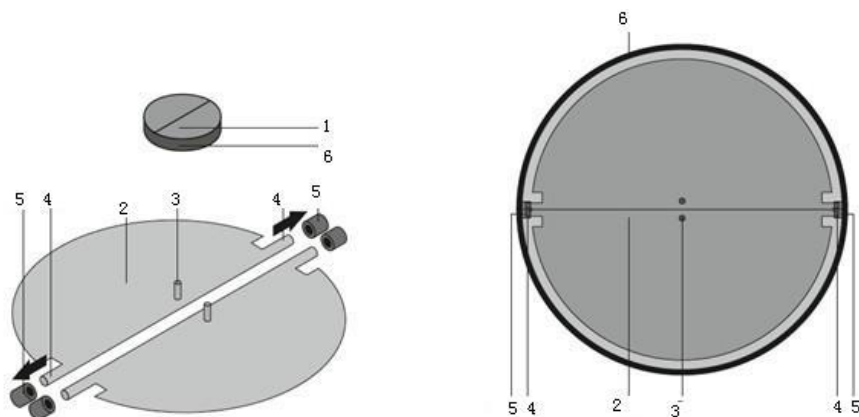
1. Les modèles suivants incluent le volet en V : RHP67000 /1LIN/1, RHP67000 / 1LPN/1, RHP97000/1LIN/1, RHP97000/1LPN/1

Si la hotte de cuisson n'est pas dotée d'un rabat en V 1, vous pouvez en monter les rabats successivement.

Pour le montage du rabat en V, voilà comment procéder :

- Montez les deux rabats dans la pièce 6
- orienter la goupille 3 vers le haut ;
- l'axe 4 doit être inséré des les trous 5 de la pièce ;
- répétez les mêmes opérations pour la deuxième moitié de rabat

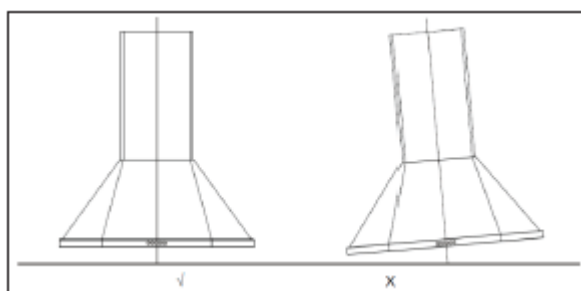
Remarque: le produit est fourni avec un accessoire à rabat en v. Cet accessoire n'est pas obligatoire pour l'installation, le fonctionnement et l'utilisation du produit.



CONSEILS POUR L'INSTALLATION DU CONDUIT D'ÉVACUATION

Les règles suivantes doivent être appliquées à la lettre pour obtenir une évacuation optimale de l'air :

- Gardez le tuyau d'expansion court et droit.
- Ne réduisez pas la taille du tuyau d'expansion.
- Si vous utilisez un tuyau d'expansion, installez toujours ce tuyau en l'étirant bien pour minimiser la perte de pression.
- Le non-respect de ces instructions de base diminue les performances et augmente la nuisance sonore de la hotte.
- L'installation doit être confiée à un électricien professionnel ou à une personne compétente.
- Ne connectez pas le système d'évacuation de la hotte à un système de ventilation déjà en place, utilisé pour un autre appareil, tel qu'un tuyau de réchaud, un tuyau de gaz ou un tuyau à air chaud.
- L'angle de courbure du conduit d'expansion ne doit pas être inférieur à 120° ; vous devez diriger le conduit horizontalement ou, en alternative, le conduit doit monter depuis le point initial et doit être dirigé jusqu'à la sortie dans la mur.
- Après l'installation, assurez-vous que la hotte est de niveau pour éviter l'accumulation de graisse en fin de parcours.
- Assurez-vous que le tuyau d'expansion utilisé pour l'installation est conforme aux normes en vigueur et ignifuge.



AVERTISSEMENT :



- Pour des raisons de sécurité, utilisez uniquement des vis de fixation ou de montage de la taille recommandée dans ce manuel d'instructions.
- Le fait de ne pas installer les vis ou le dispositif de fixation conformément à ces instructions peut entraîner des risques électriques.

Comment utiliser votre hotte de cuisson

Contrôle tactile à LED



Le contrôle tactile à LED est doté de cinq touches, voir ill.

(Diminuer), (Augmenter), (Lumière), (Timer), (Power)

1. Mise sous tension : Après avoir branché la hotte sur le secteur d'alimentation, le rétroéclairage de la touche s'allume. Le rétroéclairage s'éteint au bout de 30s, si aucune opération n'est commandée, et la hotte entre en mode de veille.

2. Touche (Power) :

2.1. Appuyez sur la touche (Power), le rétroéclairage de la touche s'allume, la hotte commence à fonctionner à vitesse moyenne et la lumière est allumée. Le rétroéclairage des boutons (Diminuer), (Augmenter), (Lumière), et (Power) sera visible. Appuyez sur la touche (Power), le rétroéclairage de la touche s'allume, la hotte commence à fonctionner à vitesse moyenne et la lumière est allumée.

2.2. Les touches (Diminuer), (Augmenter) et (Lumière) peuvent être activées sans appuyer sur la touche (Power). En appuyant sur l'une de ces touches, la hotte se mettra à fonctionner selon l'opération commandée correspondante. Appuyer sur la touche (Power), la hotte sera désactivée de toutes ses fonctions.

3. Touche (Lumière) :

Appuyez sur la touche (Lumière), le rétroéclairage de la touche et les lumières s'allument. Appuyez de nouveau, les lumières s'éteignent. Les lumières fonctionnent circulairement.

4. Touche (Augmenter) :

4.1 Appuyez sur la touche (Augmenter), le rétroéclairage du bouton s'allume, la hotte commence à fonctionner à vitesse lente. L'écran à LED affiche « 1 »,

4.2 En appuyant de nouveau sur la touche (Augmenter), quand l'appareil fonctionne à vitesse lente, la hotte commence à fonctionner à vitesse moyenne et l'écran à LED affiche « 2 »,

4.3 En appuyant de nouveau sur la touche (Augmenter), quand l'appareil fonctionne à vitesse moyenne, la hotte commence à fonctionner à grande vitesse et l'écran à LED affiche « 3 »,

4.4 En appuyant de nouveau sur la touche (Augmenter), quand l'appareil fonctionne à grande vitesse, la hotte continue à fonctionner à grande vitesse.

5. Touche (Diminuer)

En appuyant de la touche (Diminuer), la hotte réduit sa vitesse d'un cran et l'écran de contrôle affiche la vitesse de fonctionnement en cours. En appuyant de nouveau sur la touche (Diminuer), quand la hotte fonctionne à vitesse lente, l'appareil s'éteint et le rétroéclairage de la touche (Diminuer) disparaît.

6. Touche (Timer) :

6.1 La touche (Timer) ne fonctionne que lorsque le moteur et l'éclairage sont activés. Le réglage du timer correspond à 5 min et peut-être répété. Quand le temps est écoulé, la hotte et l'éclairage s'éteignent.

6.2 Quand le timer est réglé, si on modifie la vitesse de fonctionnement, le timer recalcule la durée de fonctionnement.

DÉPANNAGE

Problème	Cause possible	Solution
Lumière allumée, mais le moteur ne fonctionne pas.	Le commutateur de ventilation est désactivé.	Sélectionnez une position active du commutateur de ventilation.
	Le commutateur de ventilation est endommagé.	Contactez le service après-vente..
	Le moteur est endommagé.	Contactez le service après-vente.
L'éclairage ne fonctionne pas, le moteur ne fonctionne pas.	Les fusibles ont grillé.	Réinitialisez/Remplacez les fusibles.
	Câble d'alimentation mal branché ou déconnecté.	Repositionnez le câble dans la prise d'alimentation. Connectez la prise d'alimentation.
Fuite d'huile.	Le clapet de non-retour et l'entrée de la ventilation ne sont pas correctement scellés.	Démontez le clapet de non-retour et scellez avec du mastic.
	Fuite du raccordement entre la section en forme de U et le boîtier.	Démontez la section en forme de U et appliquez du mastic.
Les lumières ne fonctionnent pas.	Lampes grillées ou défectueuses.	Remplacez les ampoules selon les instructions.
Aspiration insuffisante.	La distance entre la hotte et la plaque de cuisson est trop grande.	Repositionnez la hotte à la bonne distance.
La hotte de cuisson penche.	Les vis de fixation ne sont pas correctement serrées.	Serrez la vis du support d'accrochage en position parfaitement horizontale.

REMARQUE :

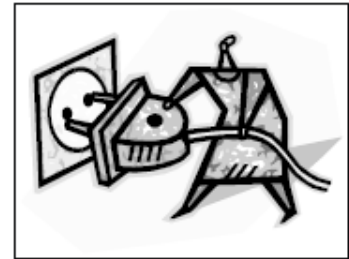


Toute réparation de votre appareil doit être conforme aux lois locales, nationales ou fédérales. Veuillez contacter le service après-vente si vous avez des doutes avant d'opérer selon les instructions ci-dessus. L'appareil doit toujours être déconnecté du secteur d'alimentation avant d'être ouvert.

ENTRETIEN ET NETTOYAGE

Attention :

- Avant toute opération d'entretien ou de nettoyage, la hotte doit être déconnectée du secteur d'alimentation. Vérifiez que la hotte est déconnectée de la prise murale et que la fiche de la prise est débranchée.



- Les surfaces externes sont sensibles aux rayures et aux abrasions : veuillez respecter les consignes de nettoyage, afin d'obtenir le meilleur résultat possible, sans rien endommager.

CONSIGNES GÉNÉRALES

Le nettoyage et l'entretien doivent être mis en œuvre quand l'appareil est refroidi, tout particulièrement pour le nettoyage. Évitez de passer des substances alcalines ou acides (jus de citron, vinaigre, etc.) sur les surfaces.

ACIER INOXYDABLE

L'acier inoxydable doit régulièrement être nettoyé (par ex. toutes les semaines) pour s'assurer une longue durée de vie. Essuyez avec un chiffon doux propre. On peut utiliser un produit d'entretien spécialement conçu pour l'acier inoxydable.

REMARQUE :

Prenez soin d'essuyer avec un chiffon qui n'endommage pas la surface de l'acier inoxydable, pour éviter l'apparition de motifs rayés croisés disgracieux.

SURFACE DU PANNEAU DE COMMANDE

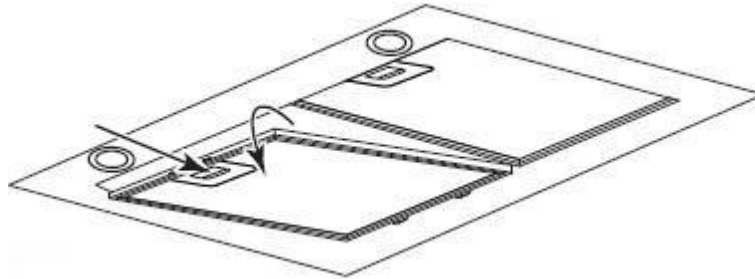
Le panneau de commande incorporé peut-être nettoyé avec de l'eau savonneuse. Assurez-vous que le chiffon est propre et bien essoré avant de nettoyer. Utilisez un chiffon doux et sec pour éliminer toute trace d'humidité après avoir nettoyé.

Important

Utilisez des détergents neutres et évitez les produits de nettoyage chimiques agressifs, les détergents ménagers puissants ou les produits contenant un abrasif, car cela pourrait nuire à l'apparence de l'appareil et effacer les motifs ou écritures imprimés sur le panneau de commande et annuler la garantie du fabricant.

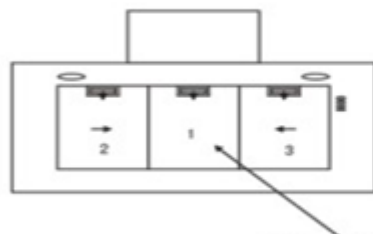
FILTRES À GRAISSE EN CAISSETTE MÉTALLIQUE

Les filtres à graisse en caissette métallique peuvent être lavés à la main ou au lave-vaisselle. Une fois lavés, assurez-vous que les filtres sont complètement secs avant de les remettre en place.

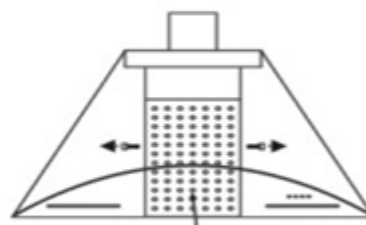


- À la main : Plongez-les environ 3 minutes dans une émulsion d'eau tiède et de détergent dégraissant, puis brossez doucement avec une brosse douce. Veuillez ne pas exercer trop de pression, pour éviter de les endommager. (Laissez-les sécher naturellement à l'abri de la lumière directe du soleil)
- Au lave-vaisselle : Assurez-vous de positionner les filtres de manière à ne pas empêcher le bras pulvérisateur de fonctionner. Le lavage des filtres dans le lave-vaisselle peut entraîner la décoloration prématurée des mailles intérieures en aluminium, sans avoir d'impact sur leurs performances.

Les filtres doivent être nettoyés séparément de la vaisselle et des ustensiles de cuisine. Il est conseillé de ne pas utiliser de produit de rinçage.



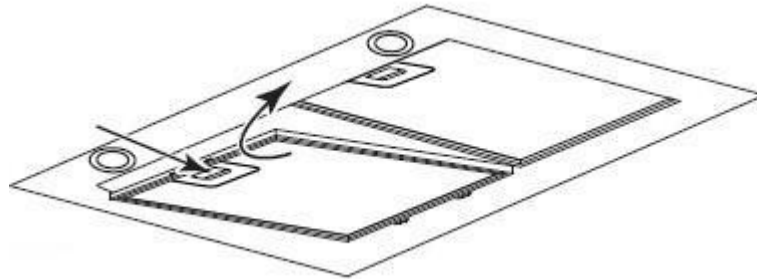
Filtre à huile et suie



Filtre à huile et suie

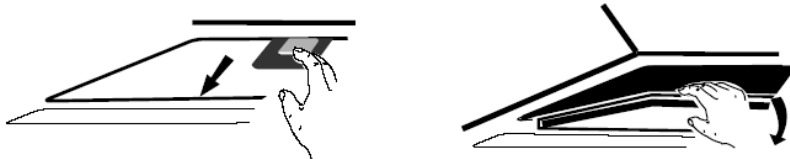
INSTALLATION DES FILTRES À GRAISSE EN CAISSETTE MÉTALLIQUE

- Installer les filtres selon les quatre étapes suivantes (Voir ill. ci-dessous) :
 - Placez un filtre dans les fentes à l'arrière de la hotte.
 - Appuyez sur le bouton de la poignée du filtre.
 - Relâchez la prise quand le filtre est dans sa position définitive.
 - Répétez la même opération pour installer tous les filtres.

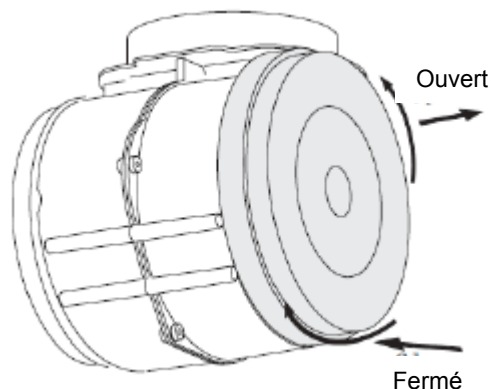


FILTRE À CHARBON

Les filtres à charbon actif sont utilisés pour absorber les odeurs. Les filtres à charbon actif doivent normalement être changés tous les trois ou six mois, selon le type d'utilisation de la cuisine. La procédure d'installation des filtres à charbon actif est la suivante.




Pour installer un filtre à charbon actif, veuillez tout d'abord retirer le filtre en aluminium. Commencez par retirer soigneusement le panneau en acier inoxydable, appuyez sur la fermeture du filtre en aluminium, puis retirez celui-ci.



REMARQUE :

- Assurez-vous que le filtre soit correctement enclenché. Dans le cas contraire, il pourrait tomber et endommager le bloc.
- Quand le filtre à charbon actif est enclenché, la force d'aspiration baisse.

REPLACEMENT D'UNE AMPOULE

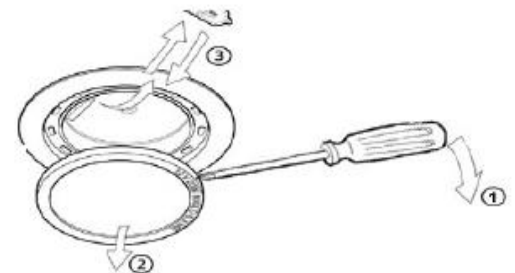
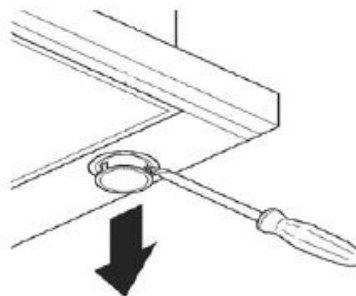
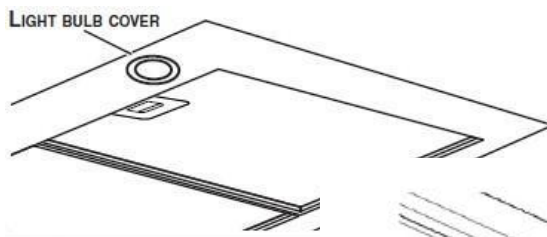
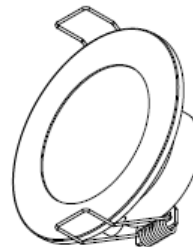
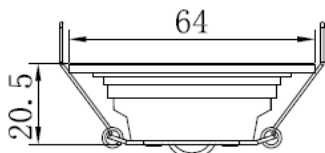
<p>Important :</p> 	<ul style="list-style-type: none">✧ La lampe doit être remplacée par le fabricant, un agent après-vente ou toute autre personne qualifiée.✧ Coupez l'alimentation électrique avant toute intervention sur l'appareil. Avant de prendre la lampe directement dans vos mains, assurez-vous qu'elle soit complètement refroidie.✧ Pour la manipulation des lampes, utilisez un chiffon ou portez des gants, pour éviter tout contact direct des mains avec les lampes, ce qui réduirait leur durée de vie.
--	---

1. Mettez l'unité hors tension et commencez par débrancher la prise.
2. Attendez que la lampe soit refroidie avant de la remplacer.
3. Retirez le filtre à tamis et utilisez le tournevis pour extraire le support comme illustré ci-dessous.
4. Remplacez la lampe par une autre du même type.

Remarque: Le remplacement de la lampe doit être pris en charge uniquement par du personnel de service après-vente.

• Le code ILCOS D de cette lampe est : DSR-1.5/65-S-64

- Modules LED – ampoule ronde
- Puissance max (Watt) : 2*1.5 W
- Plage de tension : DC 12V
- Dimensions :



PROTECTION ENVIRONNEMENTALE :



Cet appareil est conforme à la directive Européenne 2012/19/UE relative aux règlements 2013 sur les Déchets d'équipements électriques et électroniques (DEEE) (Waste Electrical and Electronic Equipment - WEEE). La catégorie DEEE recouvre à la fois les substances polluantes (pouvant avoir des retombées négatives sur l'environnement) et les composants de base (pouvant être réutilisés). Il est important que les DEEE subissent des traitements spécifiques pour éliminer et jeter correctement les polluants et récupérer tous les matériaux. Chaque individu peut jouer un rôle important en veillant à ce que les produits DEEE ne deviennent pas un problème pour l'environnement. Pour cela, il est essentiel de suivre quelques règles de base :

- les DEEE ne doivent pas être traités comme des déchets ménagers ;
- les DEEE doivent être amenés à des zones de collecte spécifiques gérées par le conseil municipal ou une société dûment enregistrée.

Dans de nombreux pays, des décharges domestiques peuvent être disponibles pour de grands DEEE. Lorsque vous achetez un nouvel appareil, l'ancien peut être retourné au détaillant qui est en devoir de le récupérer sans frais, à titre exceptionnel, tant que l'équipement est de type équivalent et a les mêmes fonctions que l'équipement fourni.



REMARQUE :

Ce qui suit montre comment réduire l'impact total sur l'environnement (par exemple, l'utilisation d'énergie) par le processus de cuisson.

- (1) Installez la hotte de cuisson dans un emplacement approprié, là où la ventilation est efficace.
- (2) Nettoyez régulièrement la hotte pour ne pas compromettre le passage de l'air.
- (3) N'oubliez pas d'éteindre la lumière de la hotte après avoir cuisiné.
- (4) N'oubliez pas d'éteindre la hotte après avoir cuisiné.

INFORMATION SUR LE DÉMANTÈLEMENT

Ne démontez pas l'appareil d'une façon autre que celle qui est montrée dans le manuel de l'utilisateur. L'appareil ne doit pas être démantelé par l'utilisateur. À la fin de son cycle de vie, l'appareil ne doit pas être mis au rebut avec les ordures ménagères. Adressez-vous aux autorités locales ou à un mandataire pour des conseils sur le recyclage.